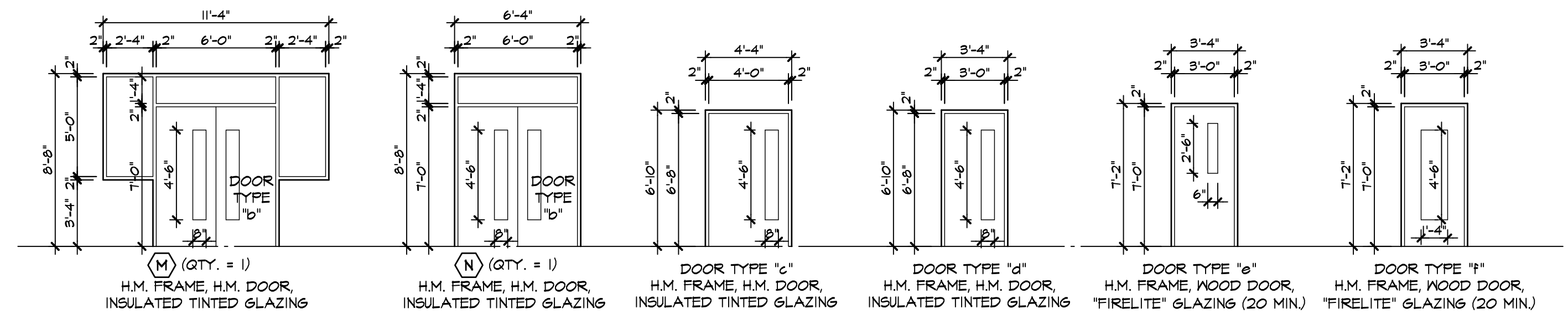
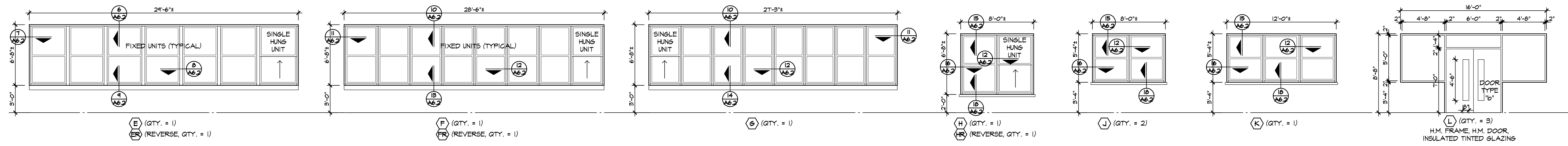
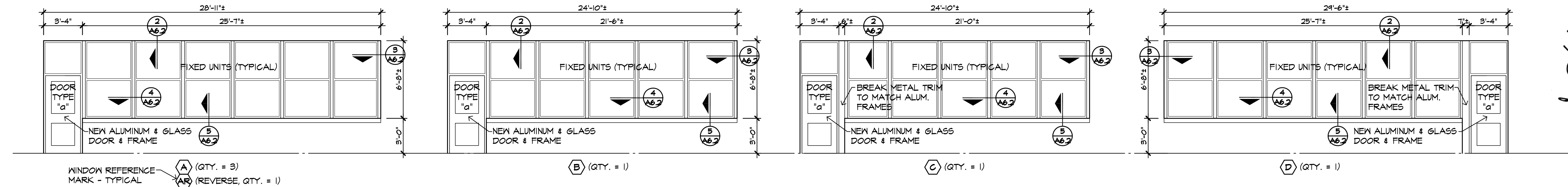
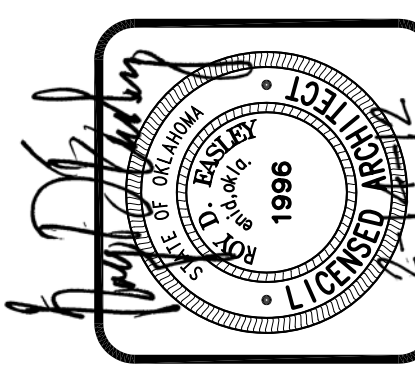
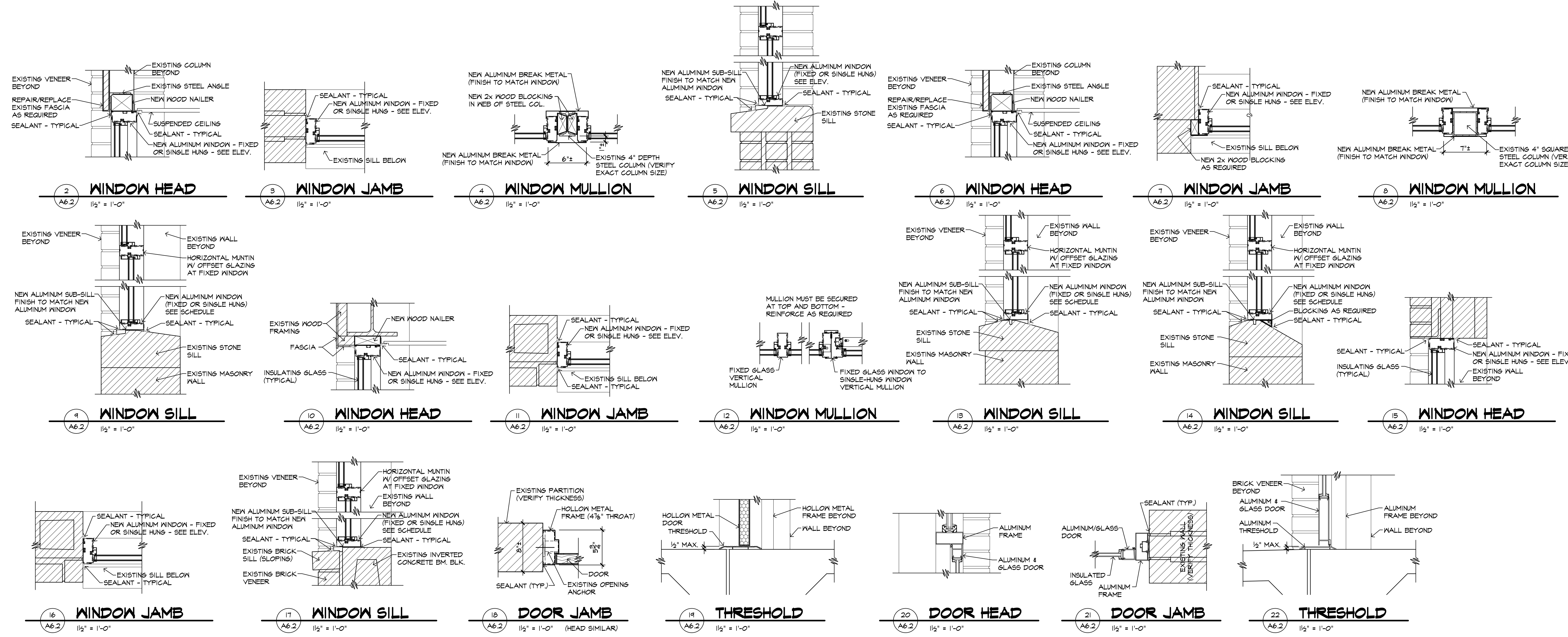


# WINDOW REPLACEMENT NOTES

1. PROVIDE NEW ALUMINUM WINDOWS AS SHOWN. WINDOWS SHALL BE AS MANUFACTURED BY: MANKO WINDOW SYSTEMS, INC. (OR PRE-APPROVED EQUAL) - SEE SPECIFICATIONS.
2. CONTRACTOR SHALL BE RESPONSIBLE FOR FIELD VERIFYING ALL DIMENSIONS AND EXISTING CONDITIONS. NOTIFY ARCHITECT IMMEDIATELY OF CONDITIONS DIFFERENT THAN THOSE SHOWN.
3. REMOVE ENTIRE EXISTING WINDOW FRAME, ETC.
4. ALL NEW EXTERIOR GLAZING SHALL BE 1" INSULATING, SOLAR BRONZE TINTED GLAZING.



## GLAZING ELEVATIONS



**Easley Associates Architects**  
 223 N. Independence  
 ENID, OK

**2012 ALTERATIONS TO**  
**MONROE ELEMENTARY SCHOOL**  
 400 WEST COTTONWOOD  
 INDEPENDENT SCHOOL DISTRICT NO. 57  
 500 SOUTH INDEPENDENCE ENID, OKLAHOMA



DATE: 02/14/2012  
 REV.:

**A6.2**  
 OF 19