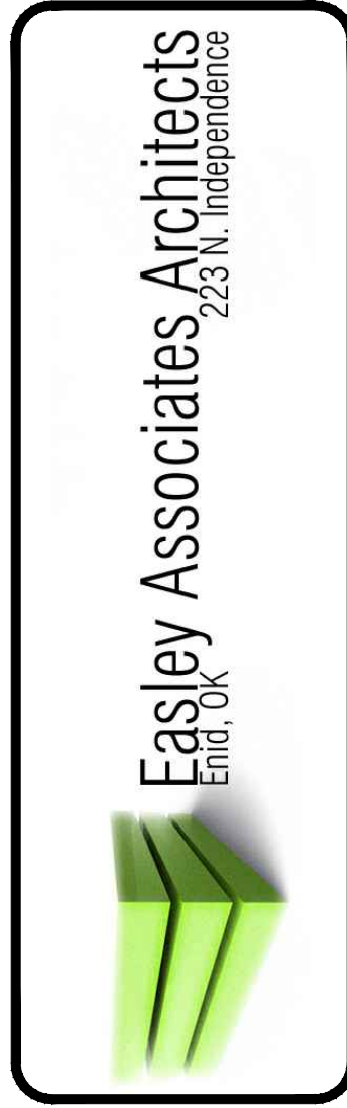
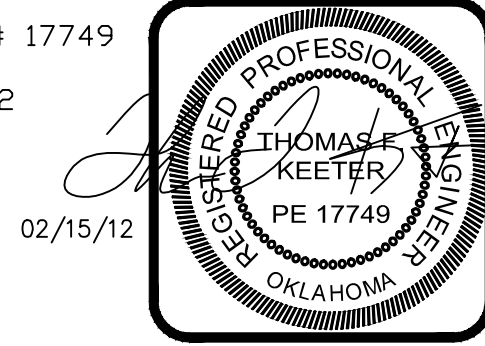
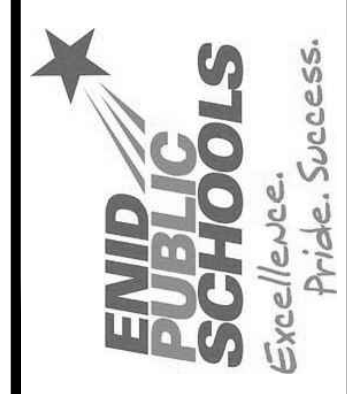


NOTE: DETAILS SHOWN ARE "TYPICAL" AND APPLY THROUGHOUT THE PROJECT WHETHER SPECIFICALLY REFERENCED IN EACH APPLICABLE LOCATION OR NOT.



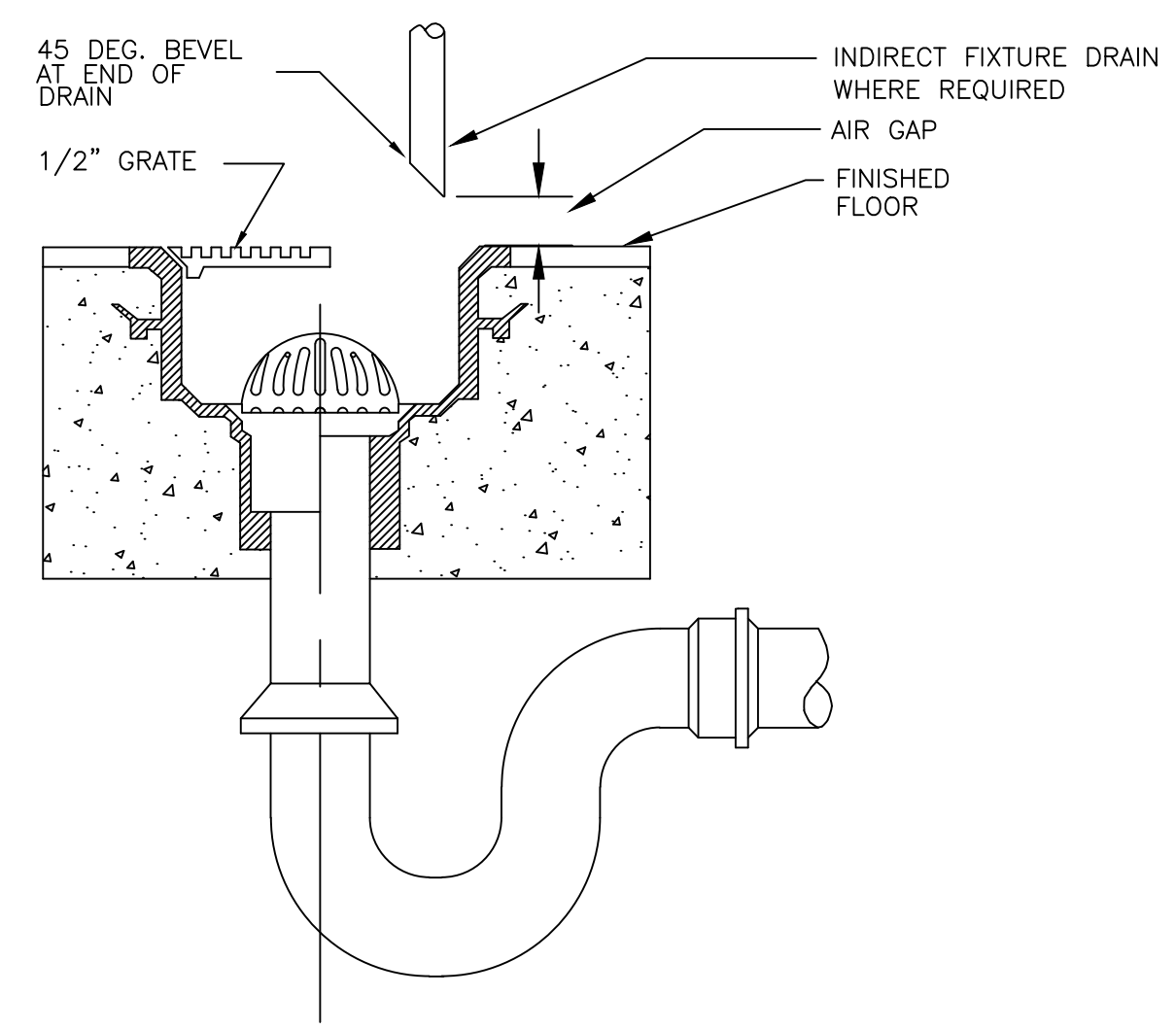
2012 ALTERATIONS TO
MONROE ELEMENTARY SCHOOL
400 WEST COTTONWOOD
INDEPENDENT SCHOOL DISTRICT NO. 57
500 SOUTH INDEPENDENCE ENID, OKLAHOMA



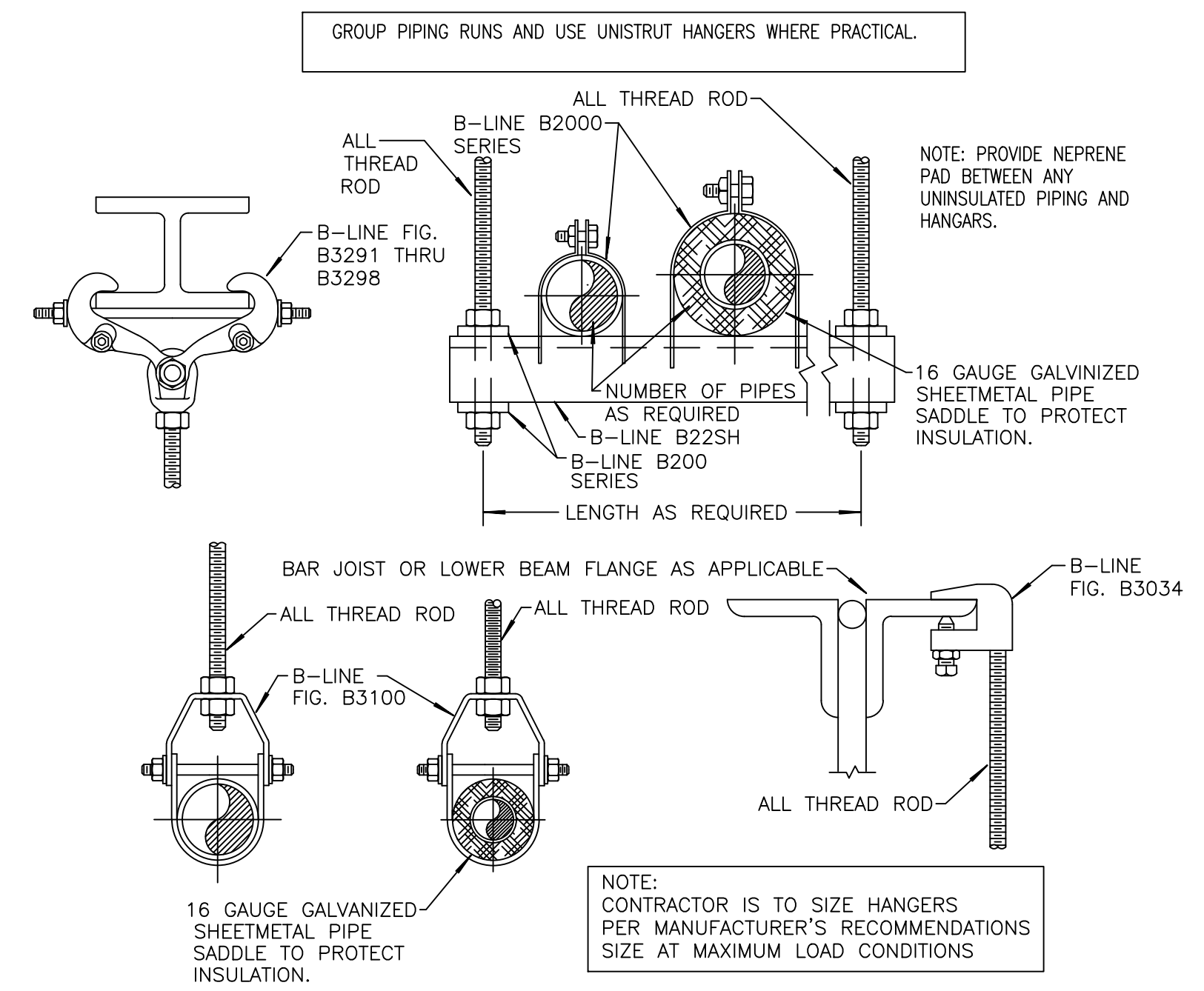
DATE: 02/04/2012
REV.:

M4.2
OF 11

C TYPICAL FLOOR SINK PIPING DETAIL
N.T.S.



B TYPICAL PIPE HANGER DETAIL
N.T.S.



A GAS WATER HEATER DETAIL
N.T.S.

