

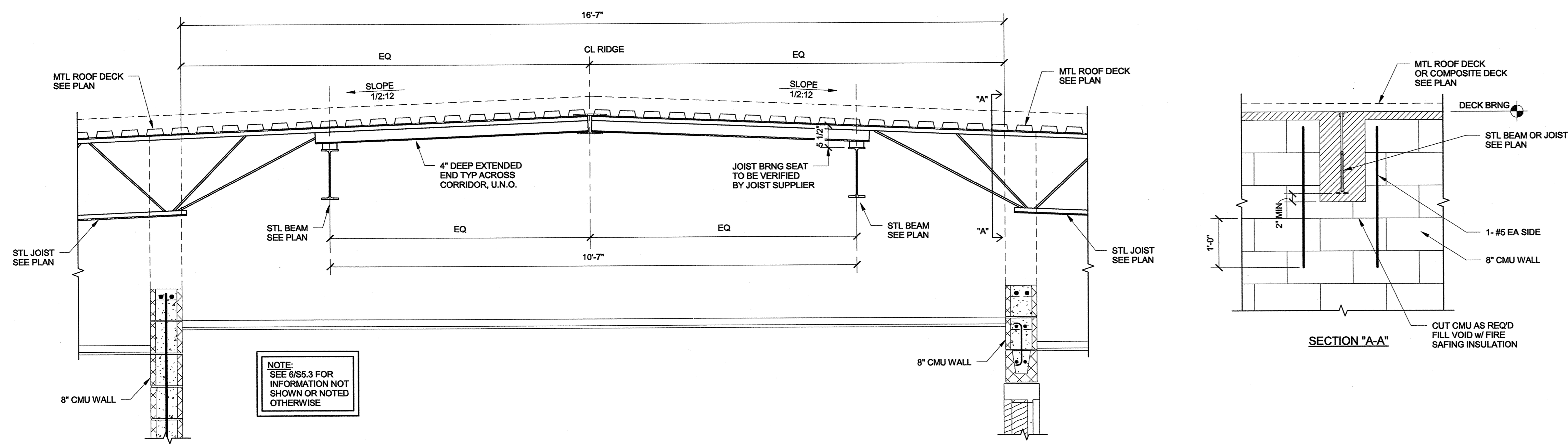
PERKINS-TRYON PUBLIC SCHOOLS
ELEMENTARY SCHOOL ADDITION
Perkins, Oklahoma

JOB NO: 11-1174-E799
DATE: June 28, 2011

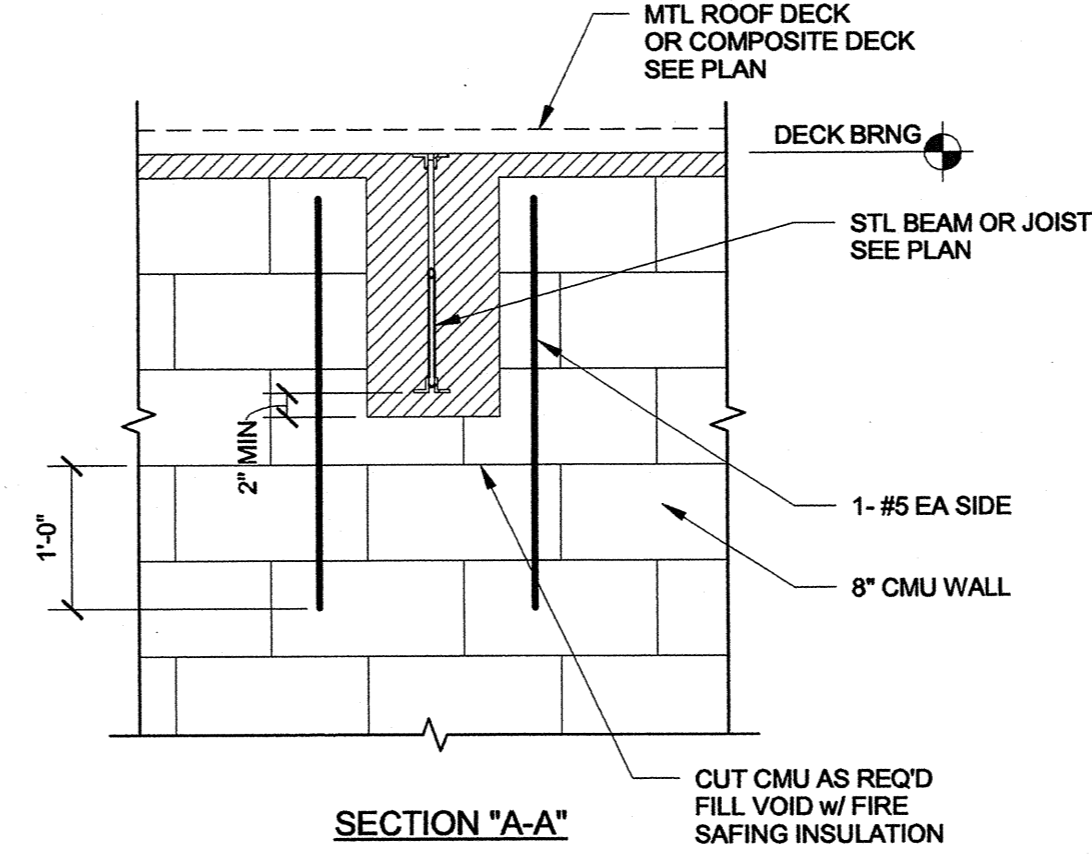
Revisions

DRAWING TITLE
FRAMING SECTIONS & DETAILS

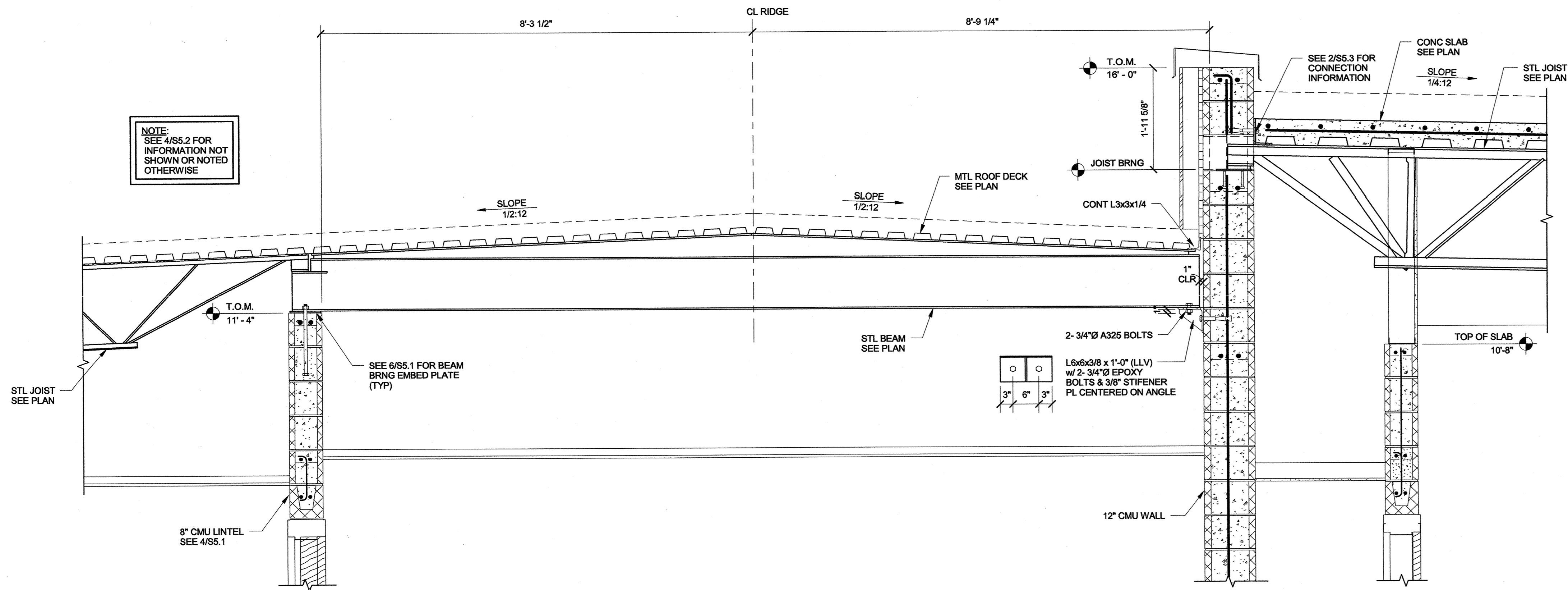
S5.4



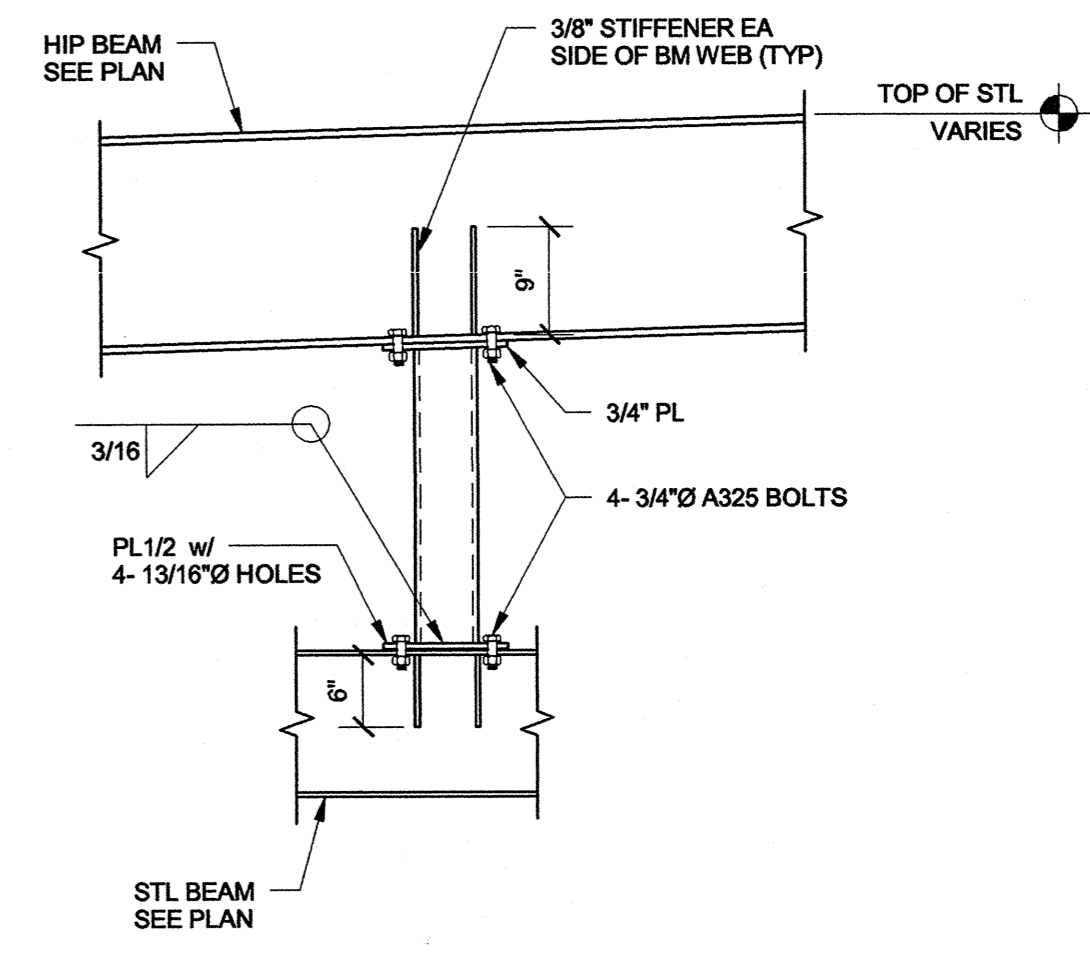
1 FRAMING SECTION AT RIDGE
3/4" = 1'-0"



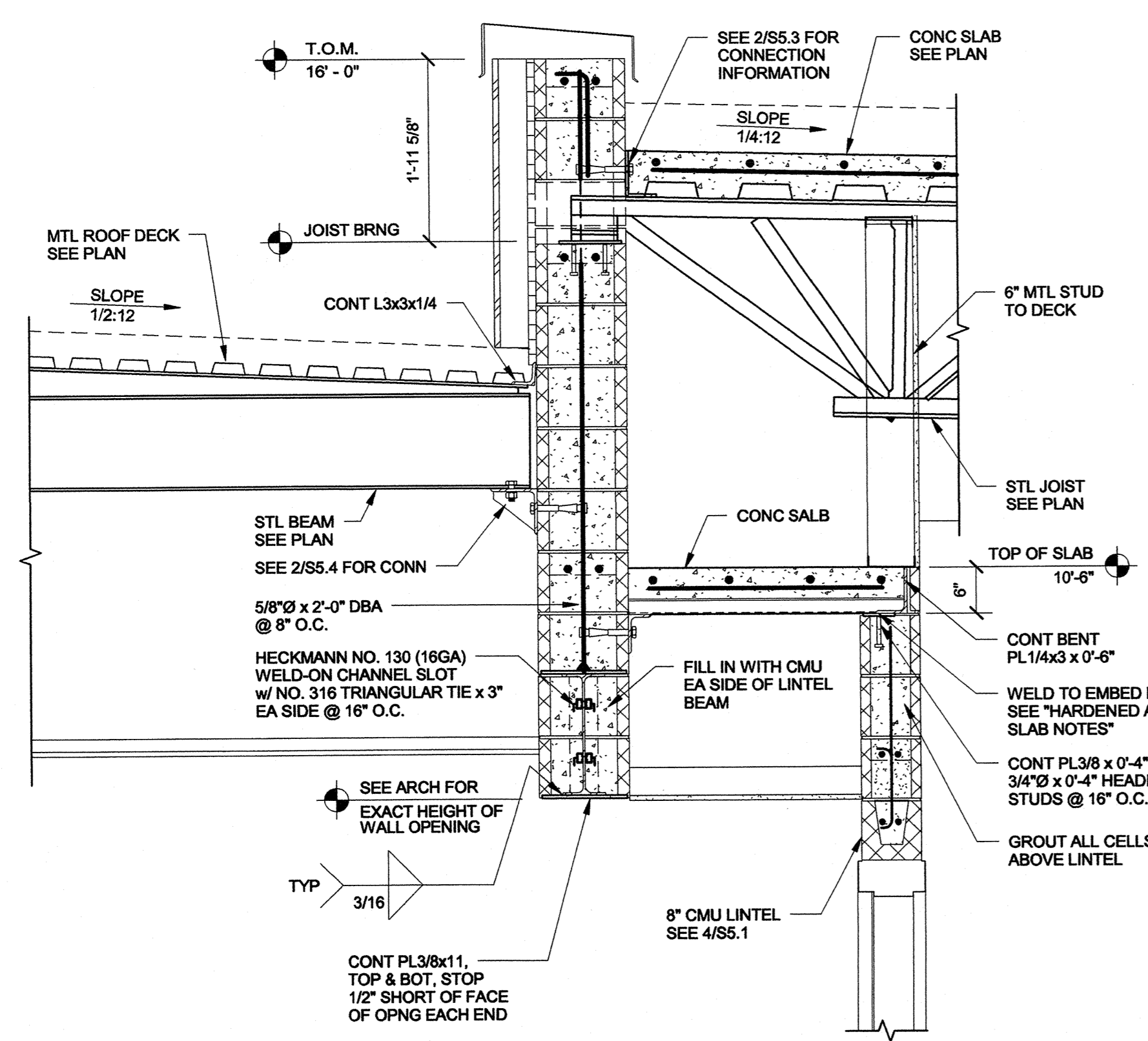
SECTION "A-A"



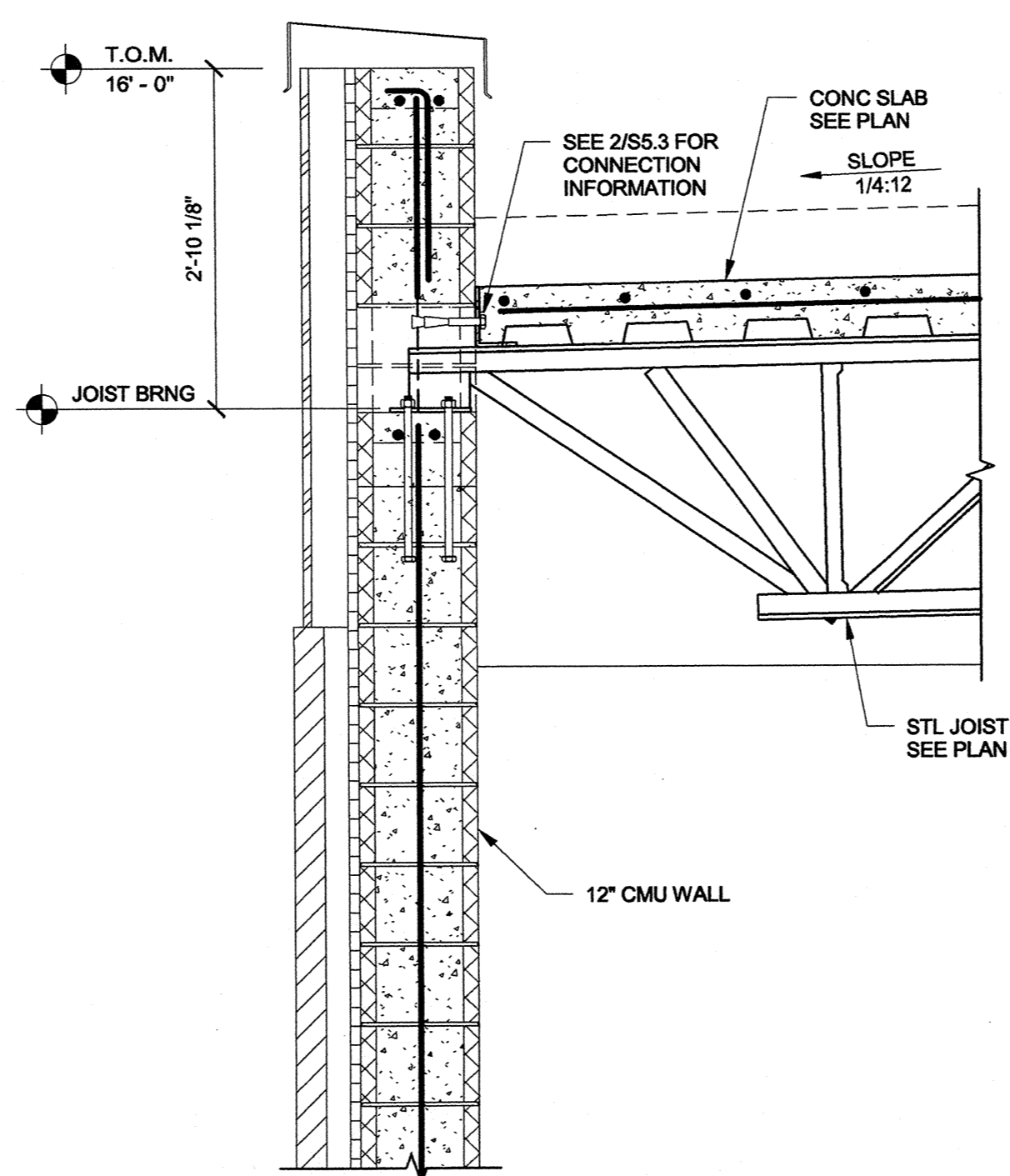
2 FRAMING SECTION AT RIDGE
3/4" = 1'-0"



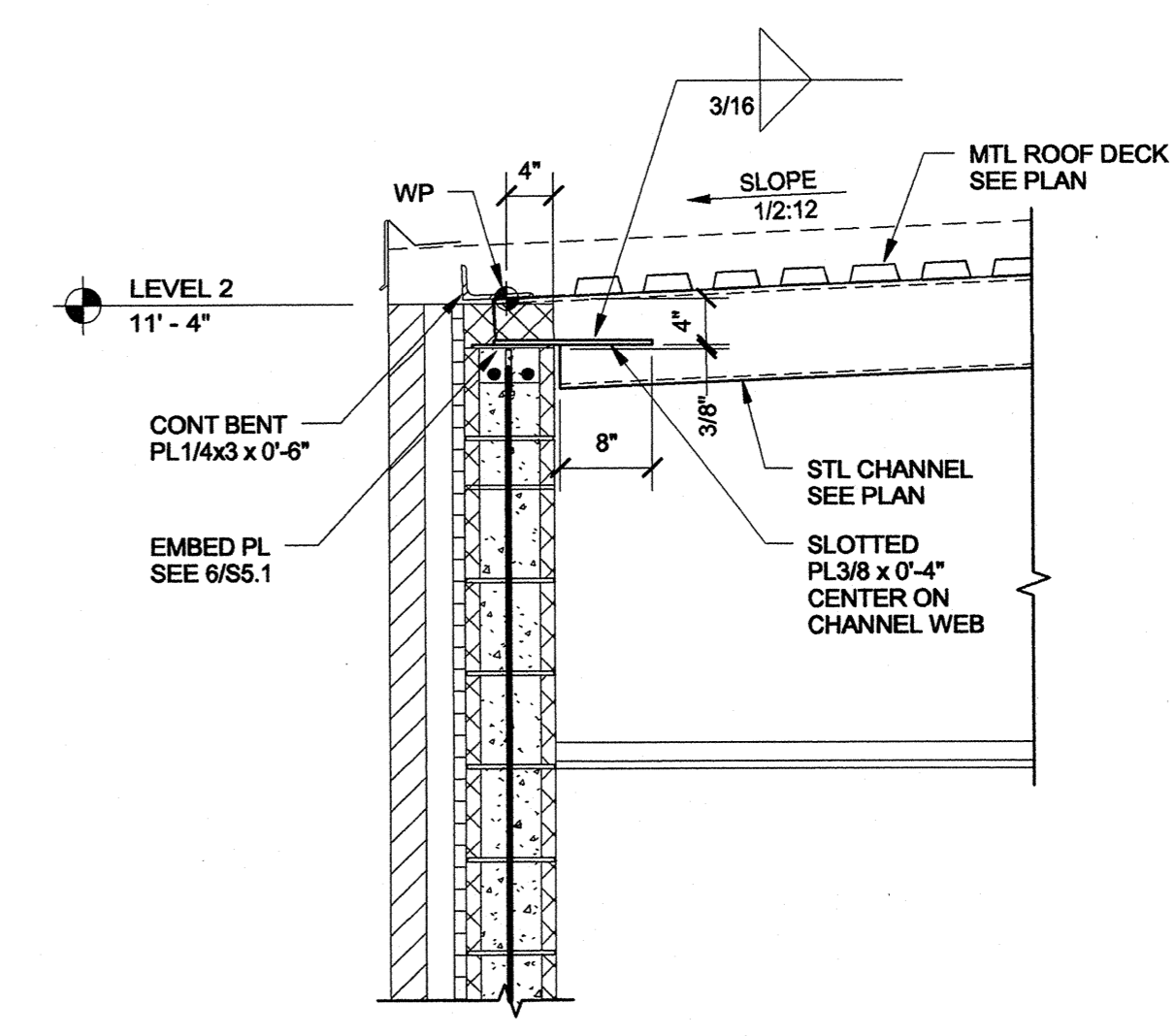
3 SECTION AT HIP BEAM
3/4" = 1'-0"



4 ROOF FRAMING SECTION
3/4" = 1'-0"



5 ROOF FRAMING SECTION
3/4" = 1'-0"



6 ROOF FRAMING SECTION
3/4" = 1'-0"

LOCAL FILE: C:\Documents and Settings\AWear\Desktop\06-11-020 STRC_AWear.rvt
CENTRAL FILE: 6/27/2011 5:17:02 PM
PLOT DATE: